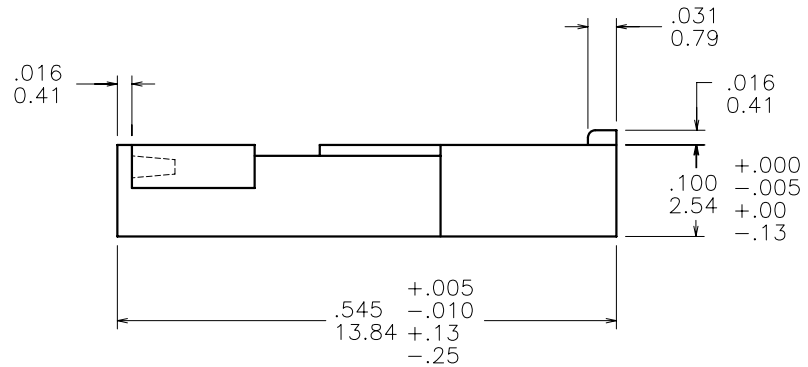
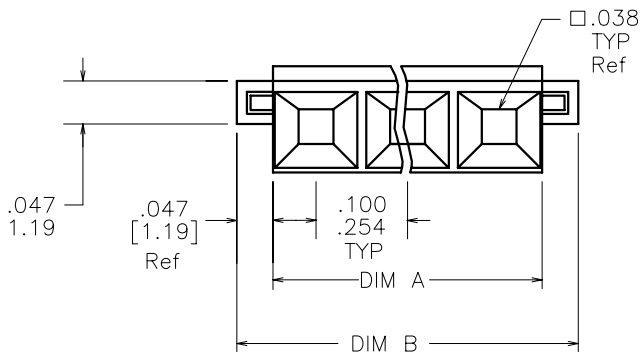
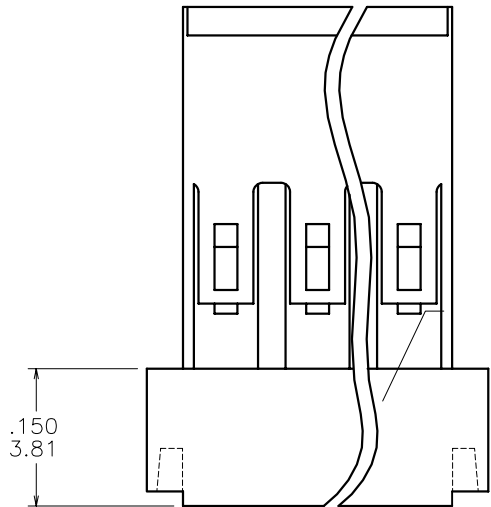


PRODUCT NUMBER	NO.OF POS	DIM A MAX	DIM B
67954-001LF	2	.200/5.08	.273/6.93
67954-002LF	3	.300/7.62	.373/9.47
67954-003LF	4	.400/10.16	.473/12.01

NOTES:

- TERMINALS MUST BE CRIMPED PROPERLY FOR SATISFACTORY LATCHING. SEE TA-75 FOR CRIMPING INSTRUCTIONS. FOR TERMINAL APPLICATION SEE TA-531. PRODUCT SPECIFICATION: BUS-12-067.
- MATERIAL: POLYAMIDE, GLASS REINFORCED, FLAME RETARDANT PER UL 94V-0, COLOR: BLACK.
- THIS HOUSING IS INTENDED FOR USE WITH MINI PV TERMINAL WITH 22-36 GAUGE WIRE
- PRODUCT MEETS EUROPEAN UNION DIRECTIVES AND OTHER COUNTRY REGULATIONS AS DESCRIBED IN GS-22-008.
- THE PRODUCT IS NOT INTENDED TO BE EXPOSED TO A MANUFACTURING SOLDER PROCESS.



mat'l. code SEE NOTE 2		surface	tolerance	projection	product family
ltr		tolerances unless otherwise specified		INCH/MM	PV HOUSINGS
ecn no	dr	date	angles		title
C	v51218	MDF	1995-11-21	linear	MINI LATCH HOUSING SR
D	v90973	CGC	1999-05-10	linear	POLARIZED .100 [2.54] CC
E	v03-0857	MRA	2003-08-05	0°±2'	scale 5:1
F	v05-0715	HTB	2005-07-29	dr	A. RAISTRICK 1991-01-15
G	v06-0446	HTB	2006-05-15	engr	C. TREXLER 1991-01-15
H	v07-0532	HTB	2007-08-16	chr	C. TREXLER 1991-01-15
				appd	C. TREXLER 1991-01-15
sheet index	revision	H			
	sheet	1			



Copyright FCI